

DO YOU KNOW...?

EXTENSION SOLUTIONS KH(SV)I:

Some difficult applications require a modification on the valve with different stem or gear solutions because of space or utilization reasons. The pictures below only gives an insight about possible solutions.



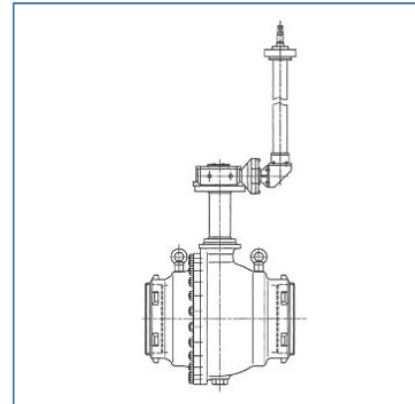
KLINGER KH(SV)I with:

- » Valve fully welded
- » Mech. gear
- » Adjustable gear extension
- » Actuation via square end
- » Usage in small inspection chambers or preparation for isolation in underground applications



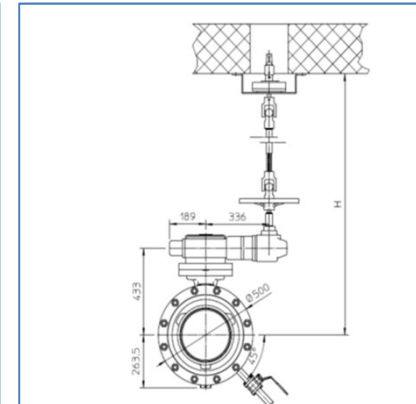
KLINGER KH(SV)I with:

- » Valve in fully welded
- » Stem extension on valve
- » Mech. gear with angle gear
- » Actuation via square end
- » Usage in small inspection chambers or preparation for isolation in underground applications



KLINGER KH(SV)I with:

- » Valve in standard version
- » Stem extension on valve
- » Mech. gear with angle gear
- » Adjustable gear extension
- » Actuation via square end
- » Usage in small inspection chambers



KLINGER KH(SV)I with:

- » Valve in standard version
- » Mech. gear
- » Adjustable cardan shaft
- » Actuation via square end
- » Usage in small inspection chambers